



Electronics Datasheet

Solid-State Relay "SwitchPack" (with auxilliary output)



Part Number : NFP3003

**For : D.C. on/off control
Inductive or Resistive loads**

Description:

- Use in place of mechanical relays
- Equivalent to six relays, PLUS one auxilliary (see below for details).
- Low input switching current. Ideal for pilot duty switches such as joystick push-buttons.
- 3 Ampere maximum output current per channel continuous duty rating.
- Resin encapsulated for protection against wet and dirty environments

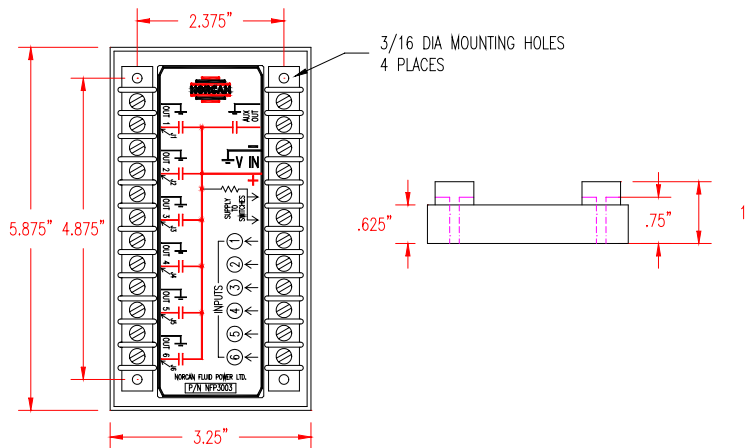
Auxilliary function:

- Aux. Energizes when any other output energizes.
- Cut the jumper wire to disable this function with any of the six outputs.
- Jumpers are located near each of the six outputs, and are numbered J1...J6.

Specifications:

- | | |
|--------------------------------------|---------------------------------|
| • Supply Voltage | 6 to 36 VDC |
| • Reverse polarity protection | None |
| • Output Overload protection | None |
| • Pilot switch supply protection | Current limited (24mA @ 24 VDC) |
| • Operating ambient temperatur range | -20 to +45 Deg C. |

General Installation Drawing



INSTALLATION DIMENSIONS



Electronics Datasheet

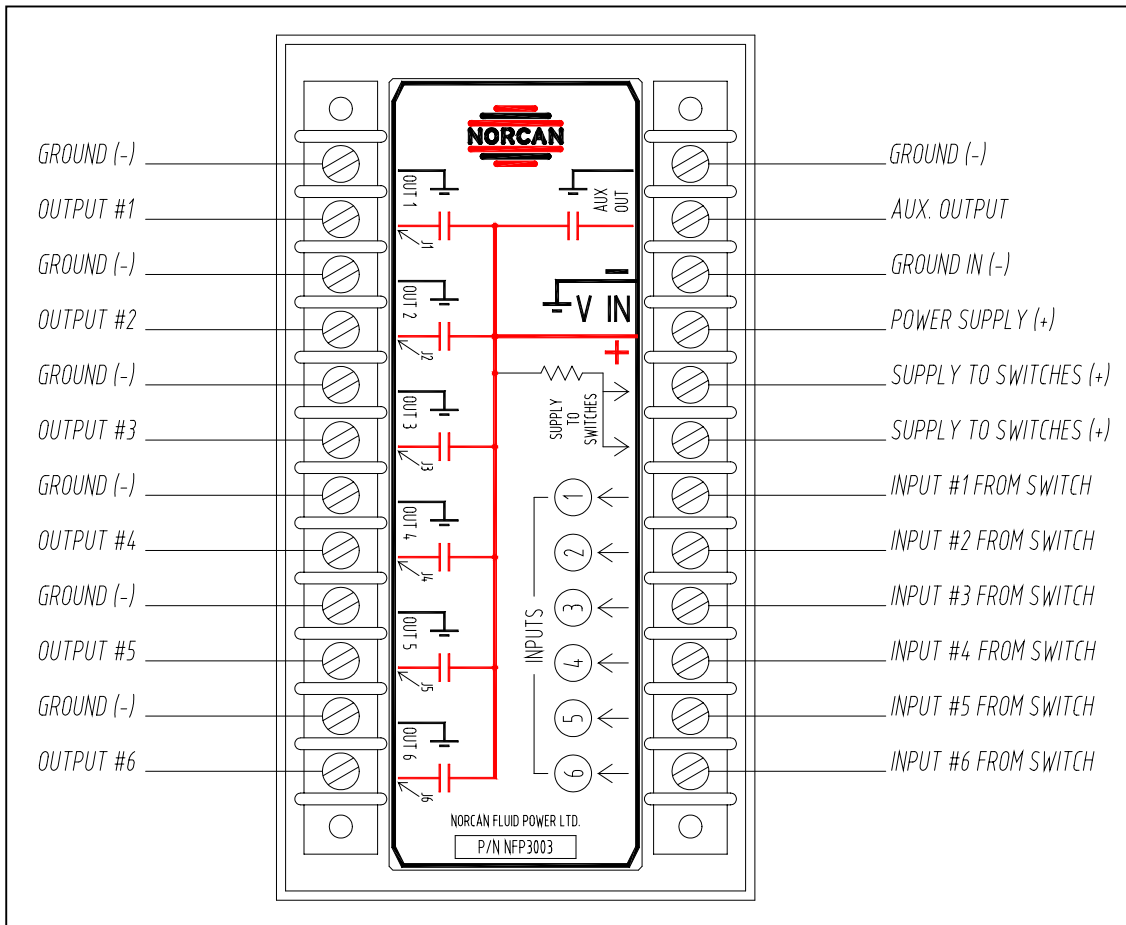
Solid-State Relay "SwitchPack" (with auxilliary output)



Part Number : NFP3003

**For : D.C. on/off control
Inductive or Resistive loads**

TERMINALS





Electronics Datasheet

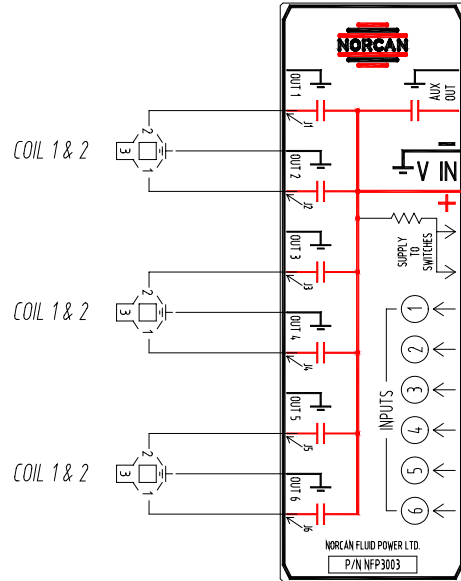
Solid-State Relay "SwitchPack" (with auxilliary output)



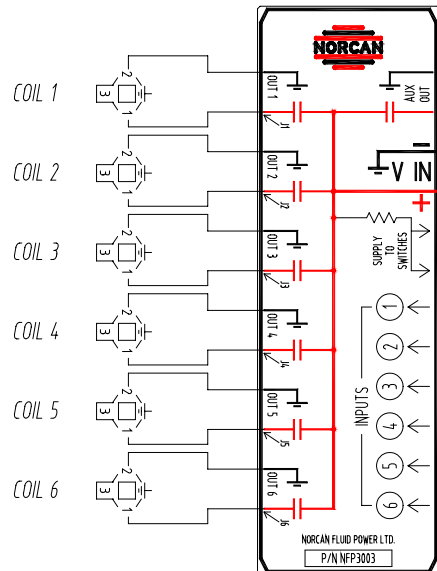
Part Number : NFP3003

**For : D.C. on/off control
Inductive or Resistive loads**

Danfoss PVG PVEO coil Wiring: (two coils per connector)



Standard DIN Coil wiring: (one coil per connector)





Electronics Datasheet

Solid-State Relay "SwitchPack" (with auxilliary output)



Part Number : NFP3003

**For : D.C. on/off control
Inductive or Resistive loads**

WIRING EXAMPLE

