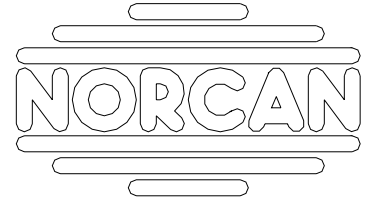


NFP2215 Electronics Datasheet



Joystick/Foot Pedal PVG Control Card

Part Number : NFP2215

For: Danfoss PVG Valve
Joystick or twin slew pedals

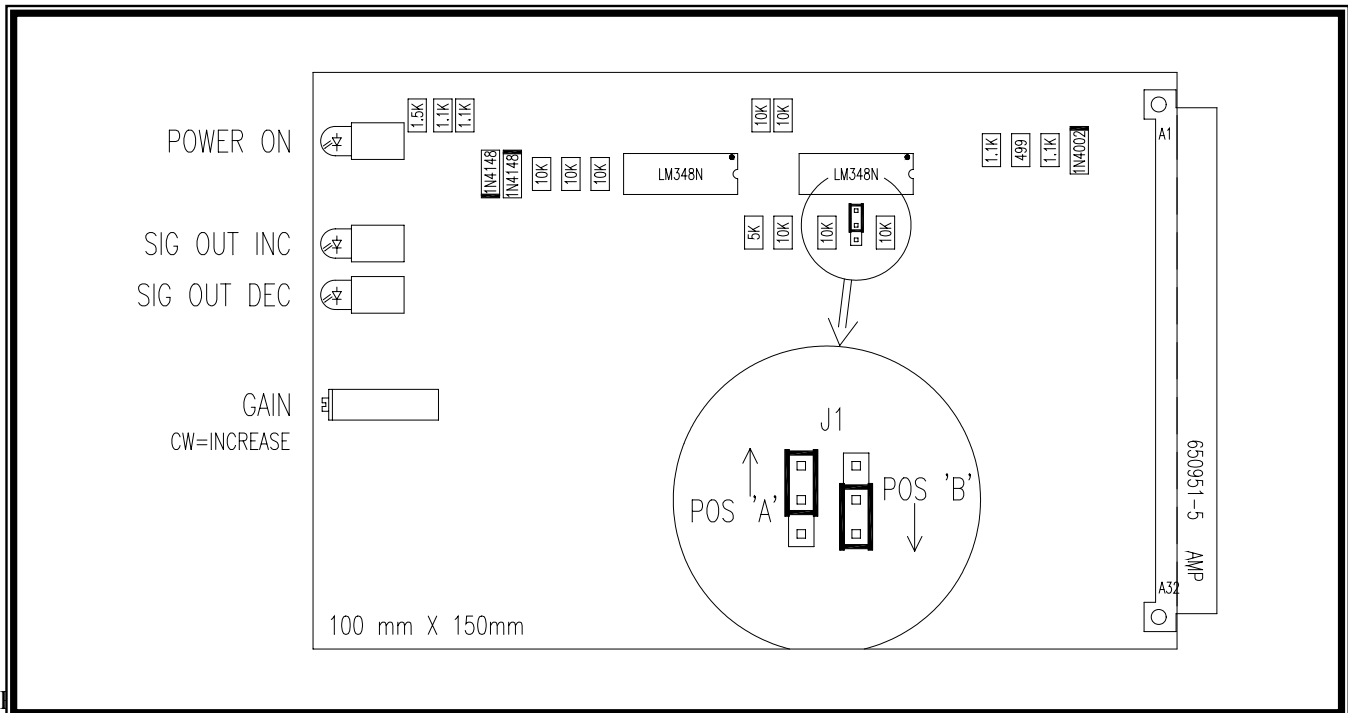
Description:

One card can be used with either one or two control pots (jumper selectable).
LEDs indicate output signal direction and amplitude.
Only one trim pot to adjust gain.
Fits "Eurocard" 32 pin card holder.

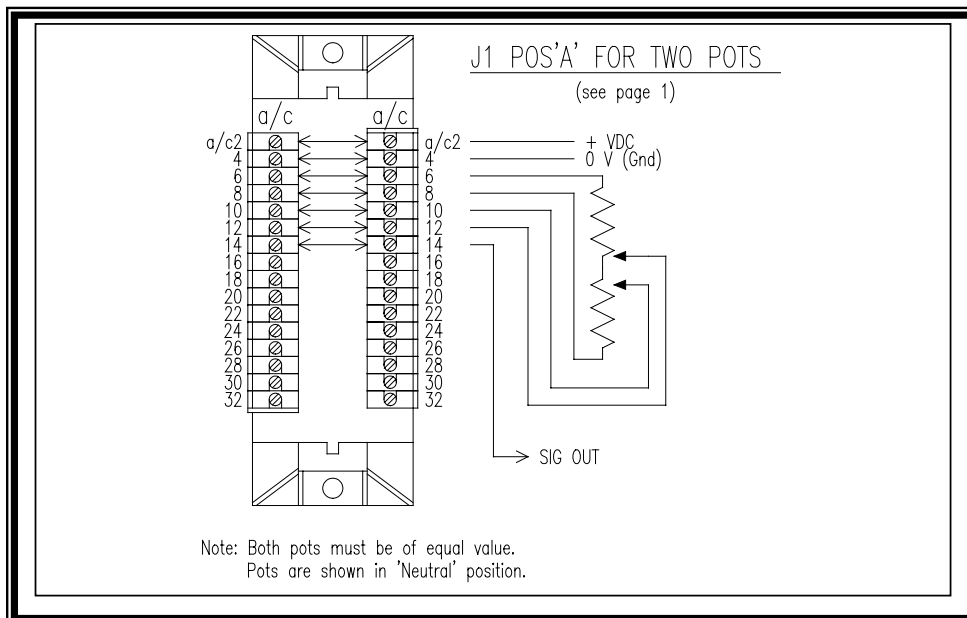
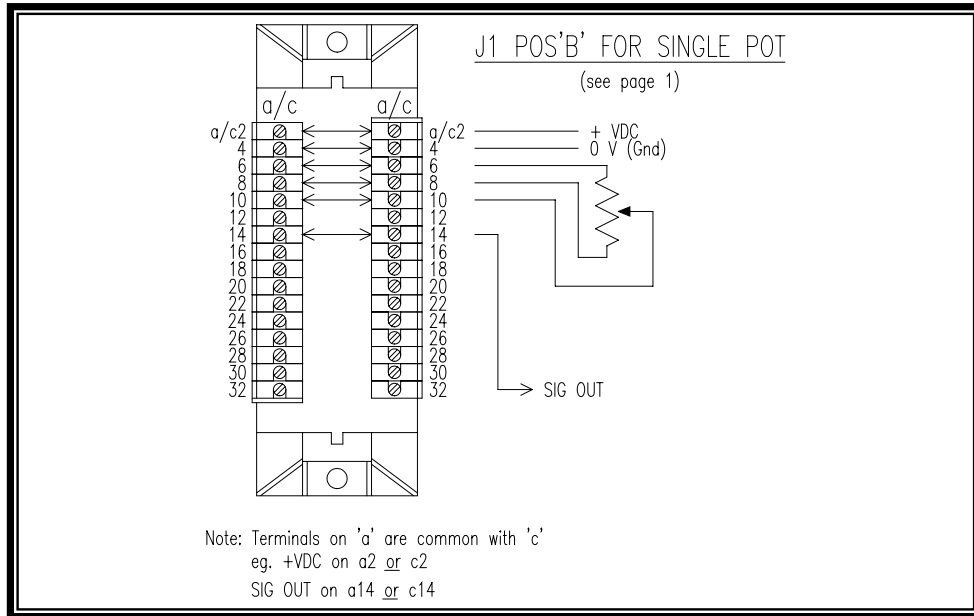
Specifications:

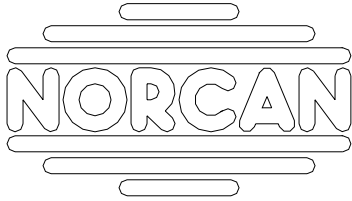
Supply Voltage	12 or 24 VDC *
Reverse Polarity Protection	None
Output Overload Protection	Current Limited
Operating Ambient Temperature Range	0 to +70° C

*Note: LEDs will appear dimmer with 12 V supply.

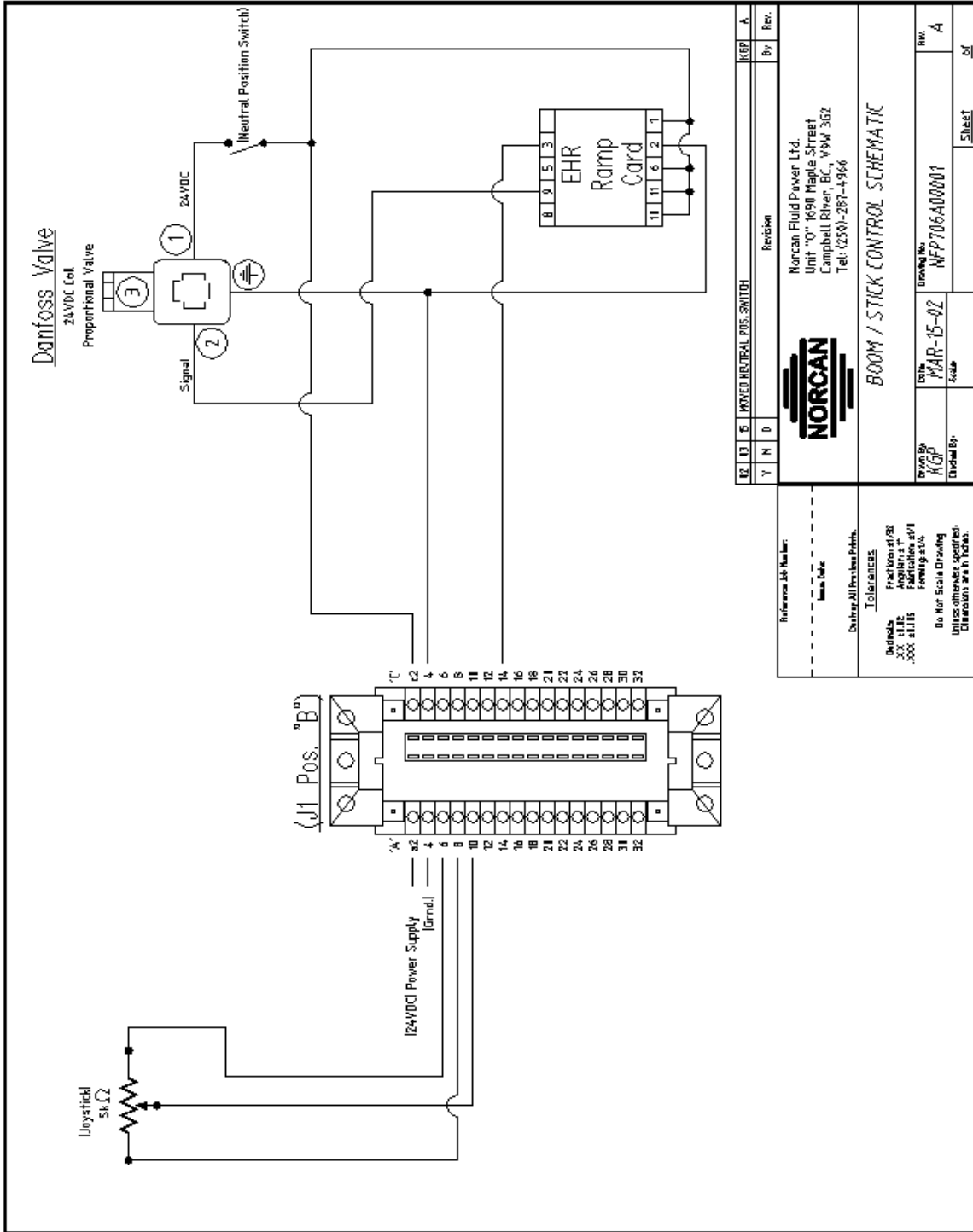
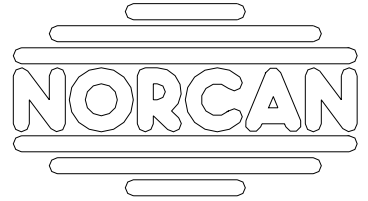


Joystick/Foot Pedal PVG Control Card





NFP2215 Electronics Datasheet



REP	A
By	Rev.
Revision	
NORCAN Fluid Power Ltd. Unit "O" 1690 Maple Street Campbell River, BC, V9W 3G2 Tel: (250)-287-4966	
BOOM / STICK CONTROL SCHEMATIC	
Drawn By	Drawn No.
RGJ	NFP706A00001
Checked By	Scale
Reference No. NFP2215 Drawing No. NFP706A00001 Date MAR-15-02 Revision A	
Sheet 1 of 1	

Tolerances
 Fractions ±0.02
 Angles ± 1°
 Fabrication ±0.1
 Forming ±1%
 Do Not Scale Drawing
 Unless otherwise specified
 Dimensions are in Inches.